

HEKA I

Nordic DNA - designed for you



Heka I

The elegant Heka I is a space-saving pillar unit in the well-known UnicLine S design, a beautiful, functional, and Nordic design of high quality.

The Delivery system on the Heka I is identical to the iconic UnicLine S and thus has the same ergonomic balanced suspension of the instruments and the hygienic glass surface with integrated touch display that is easy and quick to clean.

With a Pillar unit, the ergonomic telescopic arm is placed with the suction on the chair or possibly, on the wall behind the chair and fully achieves the same flexibility and excellent ergonomics that is characteristic of all UnicLine models.

Heka I requires very little space and is therefore very suitable for smaller clinic rooms.

Like all Heka Dental's other products, Heka I is manufactured in Denmark.

Pillar and base

The Heka I is designed as minimalist as possible, with no unnecessary connections or other disruptive elements. The chair and suction are connected to the elegant floor box and, if desired, the suction arm can be installed away from the unit and the patients chair - for instance in a dental cabinet behind the head rest.



Integrated floor box

The base is available in two versions:

A floor box with integrated connection for suction. The suction will be chair-mounted with the telescopic head used also on UnicLine S.

If the Heka I is ordered without suction in cases where a 3rd party suction is used, the floor box will be delivered without connections allowing for a completely smooth top plate.



Ergonomics

UnicLine S has always been recognized for supporting an optimal ergonomic workflow. These ergonomic features are continued in the Pillar unit.

Light ergonomics:

We all know the familiar situation where we want to keep our eyes on the patient's mouth, but often we are forced to look away to check instrument settings during treatment - such as simple information about instrument spray.

We have solved this daily challenge by projecting the instrument information down onto the patient's napkin, thereby allowing the dentist and assistant to glimpse the settings of the active instrument in the eye corner and maintain focus in the patient's mouth, without moving the eyes. We call this light ergonomics because we avoid straining the eyes by constantly shifting focus and light intensity.

Delivery system:

The delivery system is almost minimalist and there is no superfluous technology, or unnecessary information. The thin, narrow design of the delivery system is a prerequisite for achieving optimal ergonomic working conditions around the patient.

Balanced Instruments:

With the balanced suspension, the instruments are individually balanced and the long silicone hoses provide ergonomically correct working possibilities. The instruments are individually balanced so that your hand does not have to carry the instrument's weight or experience external forces when performing your precision work.

Balanced unit instruments reduce fatigue and increases the precision of the work.



Delivery system

The delivery system is of the same design and quality as known from UnicLine S.

Below the glass surface the display and touch keys are integrated - they are only visible when relevant to the situation-specific function - creating a simple expression and avoiding eye strain.

With a tempered glass surface, we have created the most hygienic surface of a dental treatment unit, and for ease of cleaning, the display and touch keys can be rendered inactive.

In addition, the integration of displays provides an easier and smaller surface to be cleaned between patients.



Hygiene and cleaning

Heka I is designed to be as hygienic and clean as possible.

Tempered glass surface

It includes well thought out details such as the use of the hardened glass surface on the dashboard which, due to the hard, smooth surface, is particularly effective in cleaning and disinfecting.

The integrated touch display ensures that there are no buttons or switches, which can collect dust and dirt.

The display can, of course, be locked during cleaning and automatically unlocks after 2 minutes, so the unit is ready again before the next patient.

Natural contact points

Natural contact points, such as handles and instrument covers, can easily be removed for cleaning and autoclaving.

This also includes the handles for the operating lamp.

Please refer to the equipment list for additional equipment that optimizes the hygiene of a Heka I.

Instrument arm

The UnicLine S unit arm set has several ergonomic advantages:

Flexible placement:

The arm set has full movement all the way around so you choose how you want to position the delivery system and which way it should move.



In addition, the Heka I needle bearings are oversized and work millimetre-accurate in any position, despite the different loads.

Light and seamless movement:

All movable joints in the unit arm are fitted with double needle bearings. This ensures that it is very easy and comfortable to move the delivery system.

Suction

The telescopic arm with the suction can easily be adjusted to work 180 degrees around the patient to avoid twisting the upper body when reaching for the suction.

The telescopic arm can be adjusted from two to four-handed treatment or from right- to left-handed dentist in seconds.

The suction comes as standard with two selective suction and adjustable hand pieces or with hygienic, autoclavable aluminium hand pieces for surgery.

The holder is available in an open or closed version. The telescopic arm is mounted on the chair base, under the patient.



Options and equipment

Instrument flush

The instrument flush is connected on the suction hose via an adapter.

Automatic suction cleaning:

With the automatic suction cleaning, a nozzle is activated at the end of the suction hoses, which continuously cleans the suction system with chemicals or just clean water and helps to keep the entire suction system clean and efficient.

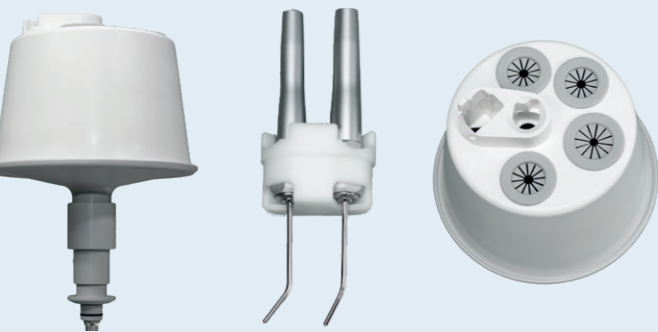
It is possible to activate flushing with chemicals or only water while working with a patient. This ensures effective removal of all impurities without the hose drying out, to prevent the impurities solidifying on the inside of the hose. Regular flushing with active chemicals between patients or in the evening can ensure that colony forming units, germs and bacteria in the suction system are reduced.

External 2L water bottle

In addition to connecting to the public water supply, the Heka I can be equipped with a system of independent water supply via a 2L bottle. This system can also be used to flush the unit's hoses with cleaning fluid.

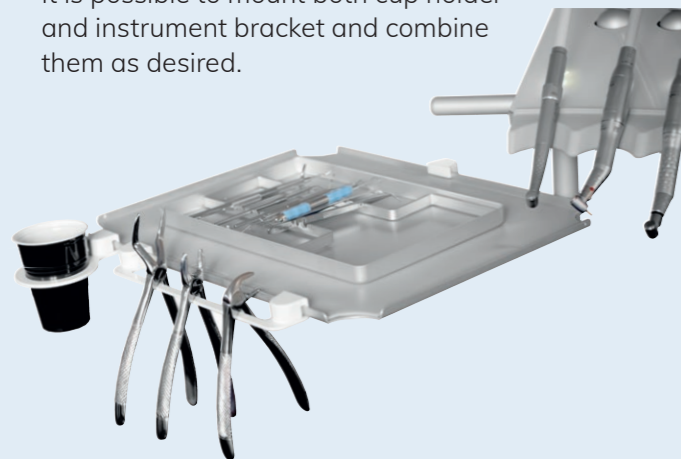


Of course, the dentist and assistant can control the suction, instrument flush and bottled water system on the display.



Cup holder and instrument hanger for tray

It is possible to mount both cup holder and instrument bracket and combine them as desired.



Included on delivery

Included in Heka I on delivery (depending on chosen options):

- Quality product made from aluminium and glass
- Quality valves from Germany
- Lacquered surfaces in aluminium
- Surface on delivery system in tempered glass with integrated touch buttons
- Instrument arm in cast aluminium
- Oversized double needle bearings in middle arm and delivery system
- Instrument arm with 337° rotation offers both right- and left-handed operation
- Instrument arm with double spring supported height adjustment
- Adjustable setting of joints and height adjustable instrument arm.
- Lighting ergonomics
- Individually balanced instruments
- Optional delivery system for five or six instruments
- Hygienic, integrated multi-touch panel in the glass surface of the delivery system
- Hygienic, autoclavable instrument holders
- Removable, autoclavable handles on delivery system
- Return air filter
- Selective suction (large and small)
- Multi-flexible telescopic suction holder

Additional equipment and options:

- Turbine:**
 - Multiflex high speed, fibre optic outlet
- Micromotors:**
 - Bien Air MX2 incl. Optima control 100-40.000 rpm/min. (up to 2 pcs.)
 - Bien Air, MCX brushless, 1000-40.000 rpm/min. (up to 3 pcs.)

Syringes:

- UNIC, 3:1
- Luzzani, 3:1 or 6:1
- Luzzani, 7:1 with/light

Scaler:

- Newtron (with/without LED)
- W&H with LED
- EMS "No Pain" (with/without LED)
- NSK Varios (with/without LED)
- EMS Airflow: built-in version

Curing light:

- UNIC (Bluedent Express)
- Starlight Sler (with button or foot control activation)
- Acteon MiniLED

Intraoral Camera:

- Sopro 617 or Soprocure, excl. software
- Dürr VistaCam iX HD

Instrument arm- and delivery system options:

- Tray support in various lengths
- Optional double tray support
- Single or double tray
- Protection sheet for tray (autoclavable)

Monitor:

- 22" monitor mounted on lamp support with flexible arm
- iPad/tablet holder (on delivery system)

Water- and water treatment:

- External water bottle - 2 liter
- Automatic instrument flush
- Sterile water pump
- Automatic suction cleaning system

Operation lamps and room light:

- Faro EVA LED operation lamp 50.000 Lux, 4000K, 5000K or 5700K, with Composave mode (11.000Lux/2700K), for Heka Design arm

- Faro EVA Cam LED operation lamp, specifications identical to std. EVA lamp, as well as with integrated HD-Camera, for Heka Design arm
- Faro EVA LED operation lamp, specifications identical to std. EVA lamp, as well as built-in THEIATECH LED and Heka Design arm
- Faro Maia LED operation lamp 35.000 Lux, 5000K with standard arm
- Faro Siderea LED room light

X-ray:

- It is not recommended to install X-Ray on Heka I

Foot control:

- Ergonomic round (wired or wireless)
- Round variable (wired or wireless)
- Universal variable (wired or wireless)

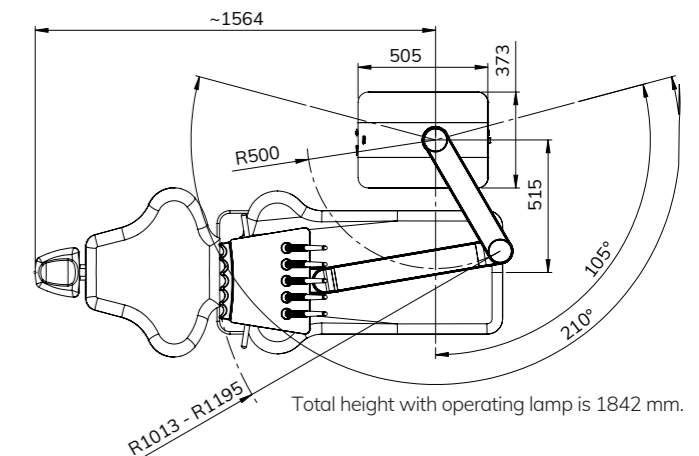
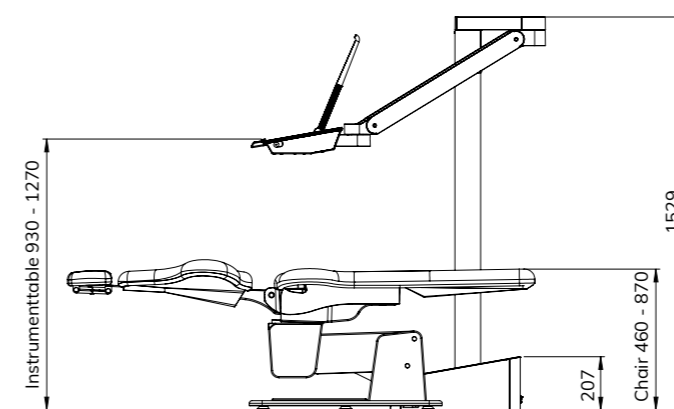
UniLine patient's chair:

- Two electric motors
- Approved up to 180 kg
- High lifts for standing treatment
- Horizontal position available
- Double-articulated head rest
- One joystick (up to 3 joysticks possible)
- Four 4 programs or 3 programs and 'Last Position'
- Headrest with hole
- Armrest - right and/or left, revolving
- Foot rest, foldable
- Hanger for foot control

Upholstery:

- Comfort Shape Upholstery (standard)
- Comfort Memory Upholstery

View available upholstery colours on www.heka-dental.com



HEKA
DENTAL®



Heka Dental A/S
Litauen Alle 4
2630 Taastrup
Telefon +45 4332 0990
mail@heka-dental.dk
www.heka-dental.com

Homepage



Facebook



LinkedIn



Instagram